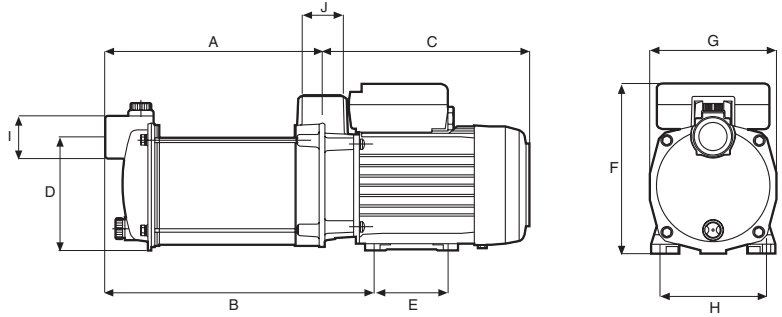
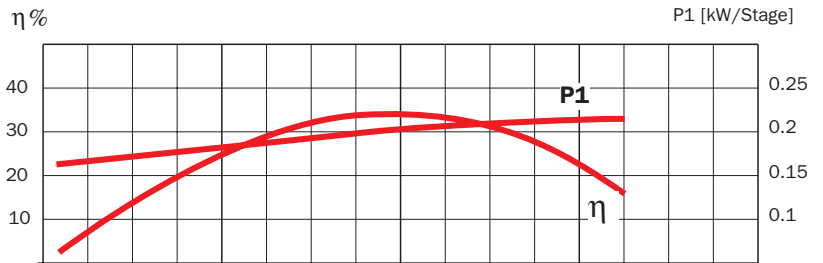
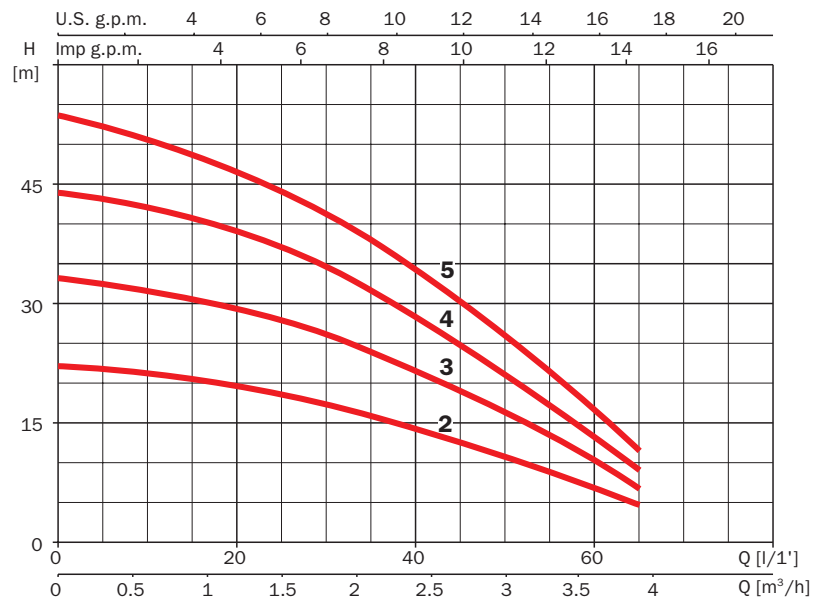


# Prisma15



|                   | A   | B   | C   | D   | E  | F   | G   | H   | I  | J  | Kg  |
|-------------------|-----|-----|-----|-----|----|-----|-----|-----|----|----|-----|
| <b>Prisma15 2</b> | 163 | 213 | 202 | 110 | 74 | 162 | 121 | 102 | 1" | 1" | 8.3 |
| <b>Prisma15 3</b> | 187 | 237 | 202 | 110 | 74 | 162 | 121 | 102 | 1" | 1" | 9.2 |
| <b>Prisma15 4</b> | 211 | 261 | 202 | 110 | 74 | 162 | 121 | 102 | 1" | 1" | 10  |
| <b>Prisma15 5</b> | 235 | 285 | 202 | 110 | 74 | 162 | 121 | 102 | 1" | 1" | 11  |



| 230 V<br>50 Hz     | 230/400 V<br>50 Hz | A           |             |       | P1 (kW) |      | kW   | HP   | μF | L/1' | 10  | 20  | 30   | 35  | 40  | 50   | 60   | 65  |
|--------------------|--------------------|-------------|-------------|-------|---------|------|------|------|----|------|-----|-----|------|-----|-----|------|------|-----|
|                    |                    | 1~<br>230 V | 3~<br>230 V | 400 V | 1~      | 3~   |      |      |    |      | 0.6 | 1.2 | 1.8  | 2.1 | 2.4 | 3.0  | 3.6  | 3.9 |
| <b>Prisma15 2M</b> | <b>Prisma15 2</b>  | 2           | 1.8         | 1.04  | 0.45    | 0.46 | 0.24 | 0.33 | 12 |      | 21  | 20  | 16.5 | 16  | 14  | 10.5 | 7    | 5   |
| <b>Prisma15 3M</b> | <b>Prisma15 3</b>  | 2.74        | 2.1         | 1.21  | 0.61    | 0.61 | 0.37 | 0.5  | 12 |      | 32  | 30  | 26   | 24  | 22  | 17   | 10.5 | 7   |
| <b>Prisma15 4M</b> | <b>Prisma15 4</b>  | 3.53        | 2.3         | 1.3   | 0.79    | 0.7  | 0.55 | 0.75 | 12 |      | 43  | 39  | 35   | 32  | 27  | 21.5 | 14   | 9   |
| <b>Prisma15 5M</b> | <b>Prisma15 5</b>  | 4.13        | 3.3         | 1.9   | 0.95    | 0.94 | 0.75 | 1.0  | 12 |      | 51  | 47  | 42   | 38  | 34  | 25   | 17   | 12  |